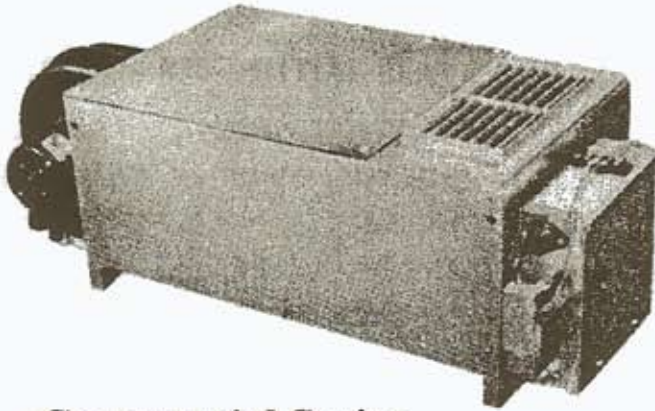


Capacity 1E & 2E Series



CAPACITY TABLE - COMMERCIAL SERIES						
Input Watts	Model No.		Capacity		Amps	
	11V-1Ph	230V-1Ph	Lbs.	Water/Hr	115V	230V
600	1E-0X5M1			1.4	5.2	
1100	1E-1M1	1E-1M2		2.8	9.6	4.8
1600	1E-1X5M1	1E-1X5M2		4.2	13.8	6.9
2100	1E-2M1	1E-2M2		5.6	18.2	9.1
3100		1E-3M2		8.4		13.5
4100		1E-4M2		11.2		17.8
6100		2E-3M2		16.8		26.5
8100		2E-4M2		22.4		35.2

Approximate Weight: 22 lbs. Dry; 40 lbs. operating

Commercial Series

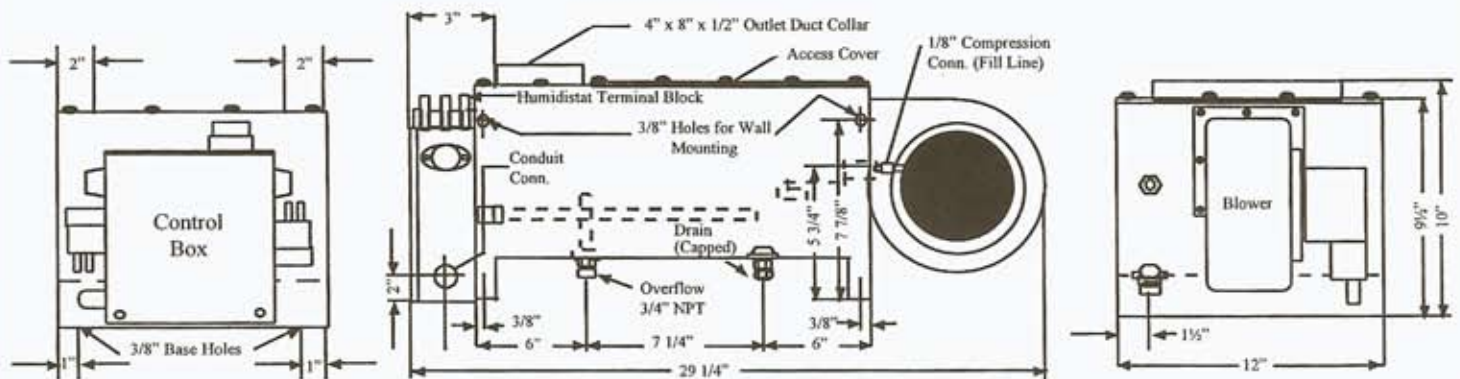
Specifications

Humidifier shall be Alladin-Air Model: _____, as manufactured by Alladin-Air Manufacturing Ltd., of Calgary, Alberta. The humidifier will be self contained and have a capacity of _____ lbs. water vapor per hour when drawing _____ amps of 1 ph power at _____ volts. Unit shall be C.S.A. approved. It shall be of the electric evaporative type and have an integral control system including control relays, fused blower, manual re-set high limit, low voltage transformer and 24 volt terminal strip for humidistat connection.

The following optional items shall also be furnished: (Select those required)

- a) Allain-Air spacer type wall brackets
- b) Low voltage humidistat
- c) Fiberglass enclosures
- d) Non Ferrous discharge grille (used with "C")
- e) Length of 1/4" nylon fill line (4 ft.)
- f) Saddle valve for quick connection of fill line to 3/4" copper water pipe
- g) Disconnect switch for remote mounting (fused or unfused)

Humidifier shall be installed according to manufacturer's instruction label.



Dimensions Series 1E & 2E

Alladin-Air Manufacturing Ltd.

1111 - 46 Avenue S.E.

Calgary, Alberta T2G 2A5

Phone: (403) 243-2923

Fax: (403) 287-9005

01-May-96/zs

AA-014