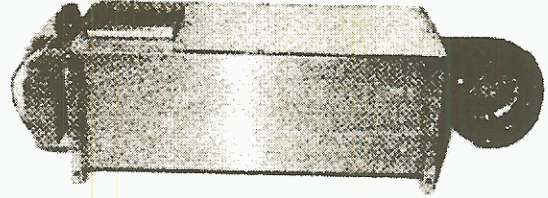


# Capacity R1E Series

**CAPACITY TABLE - RESIDENTIAL SERIES**

Input Watts	Model No.		Capacity		Amps	
	11V-1Ph	230V-1Ph	Lbs.	Water/Hr	115V	230V
550	R1E-0X5M1	R1E-0X5M2		1.4	4.8	2.4
1050	R1E-1M1	R1E-1M2		2.8	9.2	4.6
1550	R1E-1X5M1	R1E-1X5M2		4.2	13.6	6.8
2050	R1E-2M1	R1E-2M2		5.6	17.8	8.9

Approximate Weight: 12 lbs. Dry; 22 lbs. operating



## Enclosure Colors

Standard enclosure color is white. Also available red, yellow, pale blue, salmon and torquoise. For speical colors consult Alladin-Air.

## Residential Series

## Specifications

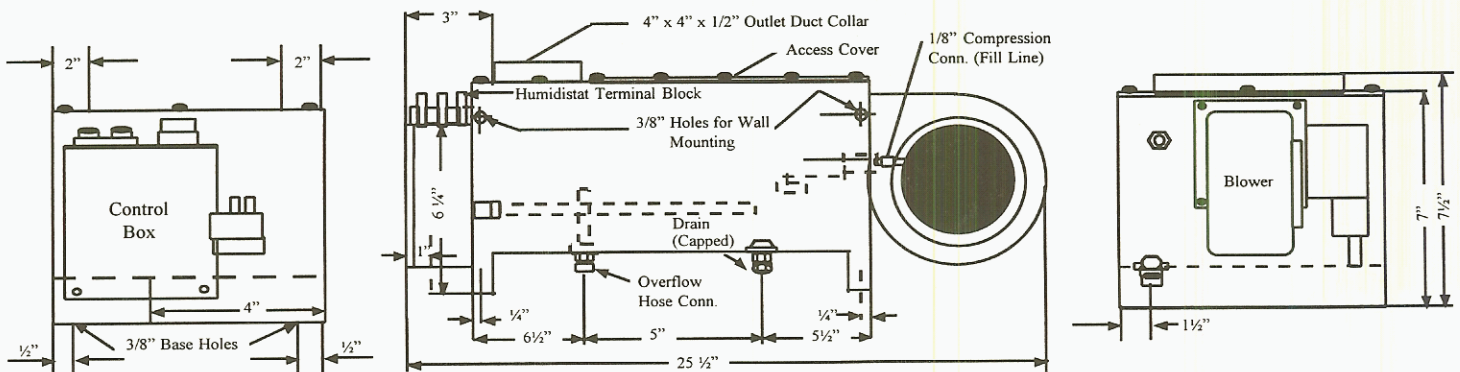
Humidifier shall be Alladin-Air Model: \_\_\_\_\_, as manufactured by Alladin-Air Manufacturing Ltd., of Calgary, Alberta. The humidifier will be self contained and have a capacity of \_\_\_\_\_ lbs. water vapor per hour when drawing \_\_\_\_\_ amps of 1 ph power at \_\_\_\_\_ volts. Unit shall be C.S.A. approved. It shall be of the electric evaporative type and have an integral control system including control relays, fused blower, manual re-set high limit, low voltage transformer and 24 volt terminal strip for humidistat connection.

Tank and cover shall be of stainless steel and all other components coming in contact with the water to be copper or brass. Internal parts of humidifier shallj be accessible through removable cover for cleaning without disturbing any part of the hook-up. Humidifier shall have drain, overflow, and fill line connections.

The following optional items shall also be furnished: (Select those required)

- a) Allain-Air spacer type wall brackets
- b) Low voltage humidistat
- c) Fiberglass enclosures
- d) Non Ferrous discharge grille (used with "C")
- e) Length of 1/4" nylon fill line (4 ft.)
- f) Saddle valve for quick connection of fill line to 3/4" copper water pipe
- g) Disconnect switch for remote mounting (fused or unfused)

Humidifier shall be installed according to manufacturer's instruction label.



**Dimensions Series R1E**

## Alladin-Air Manufacturing Ltd.

1111 - 46 Avenue S.E.  
 Calgary, Alberta T2G 2A5  
 Phone: (403) 243-2923  
 Fax: (403) 287-9005